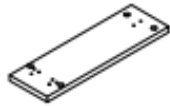


① x1



② x2



③ x1



④ x1



⑤ x1



⑥ x1



⑦ x1

A (M6x16mm) x2



B (M8) x4



C Ø8x22mm x22



D (M8) x22



E (M4) x1



F (M8x35mm) x18



G (M8) x2



H (M8x140mm) x4



I (M8x285mm) x1



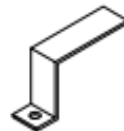
J (M5) x1



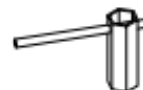
K (M6x15mm) x6



L x2



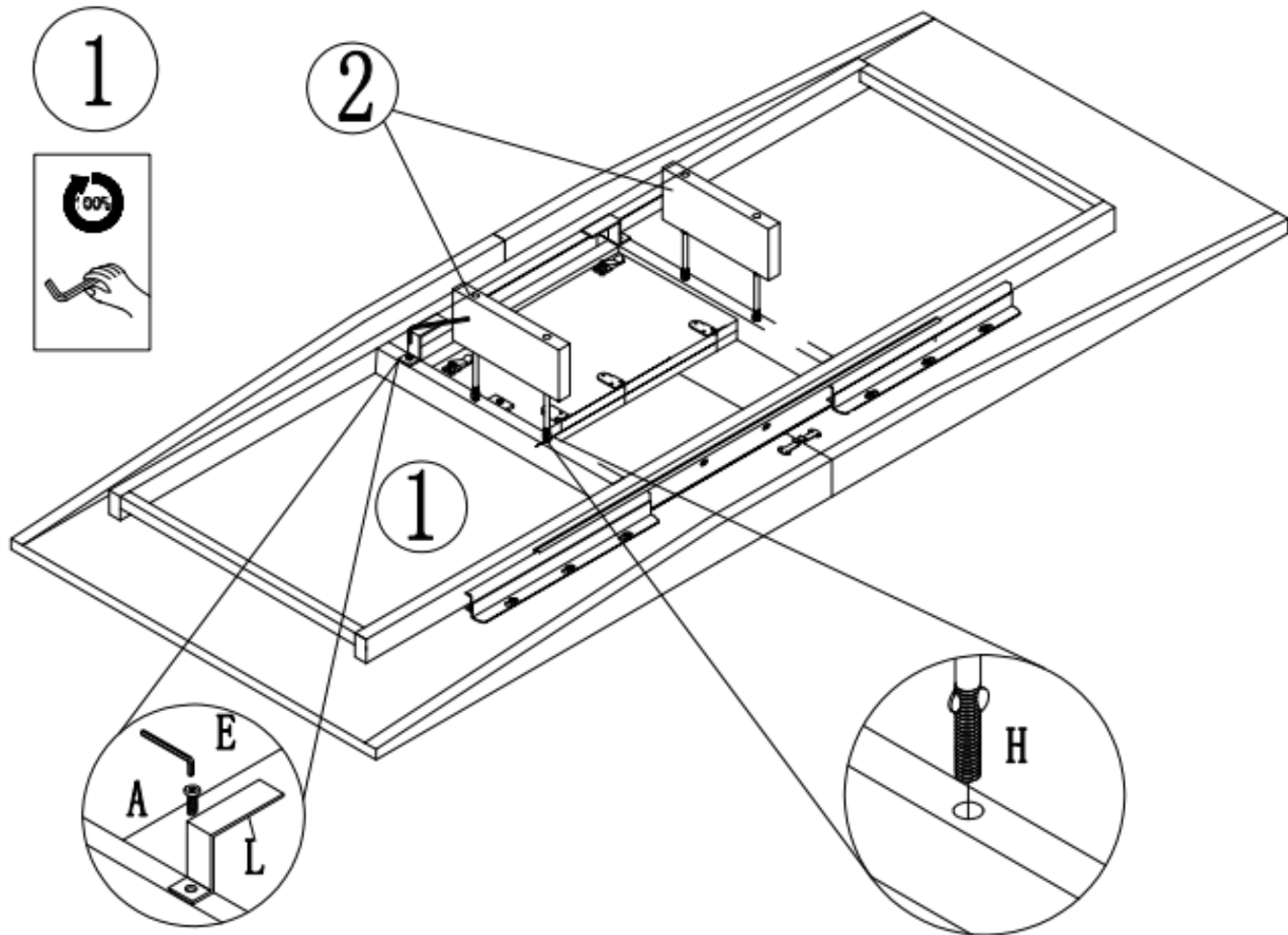
M (M8) x1



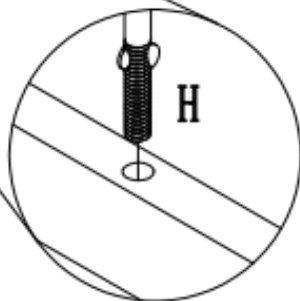
1



2



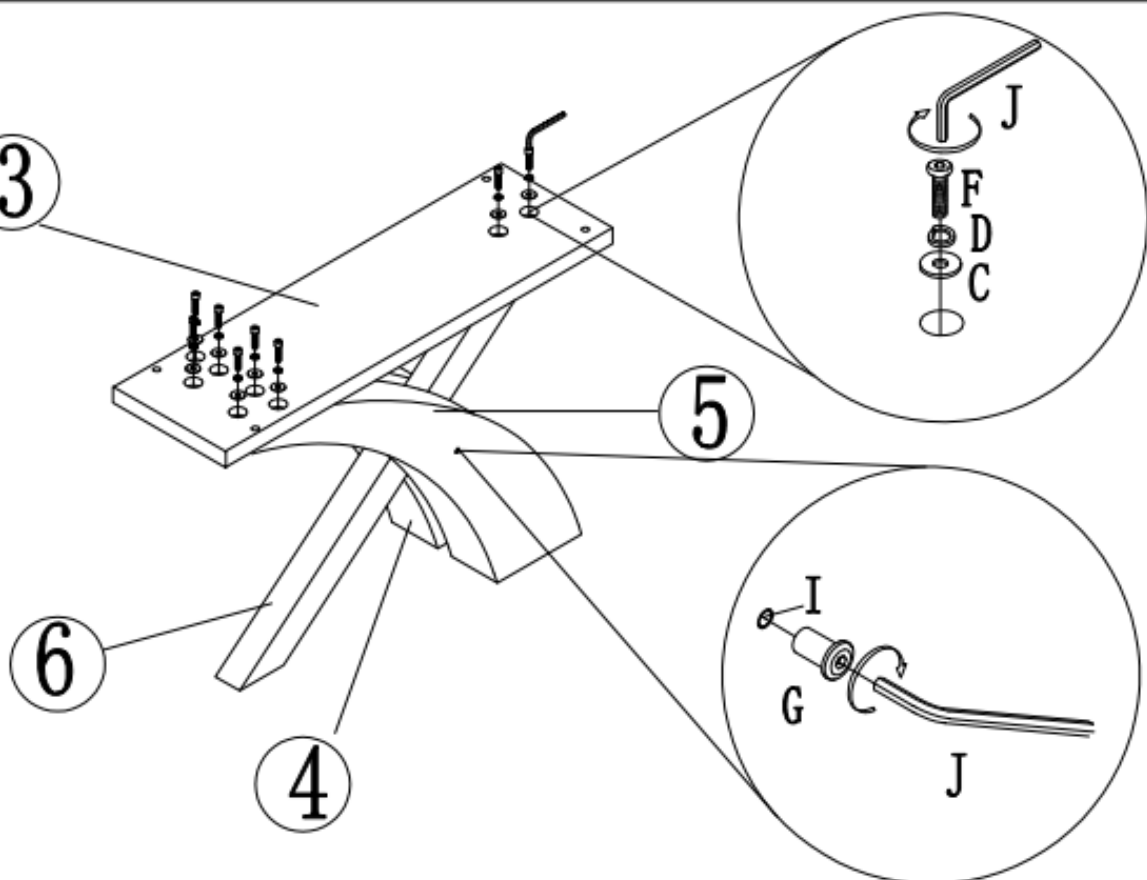
1



2



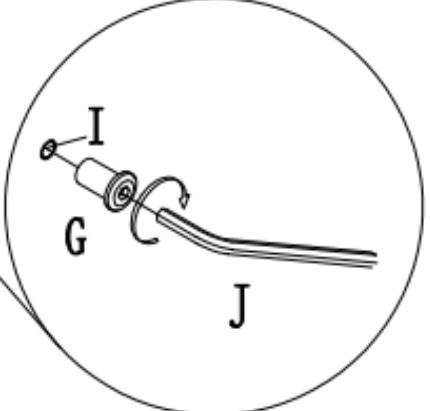
3



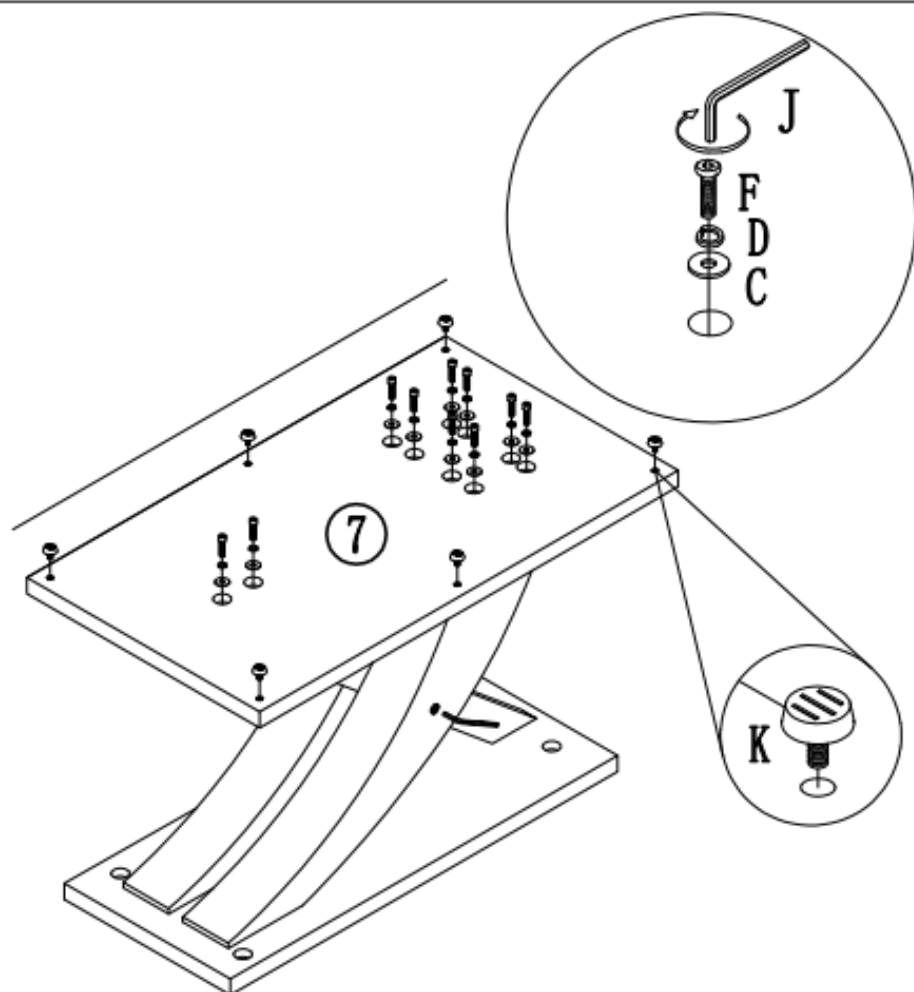
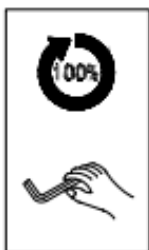
5

6

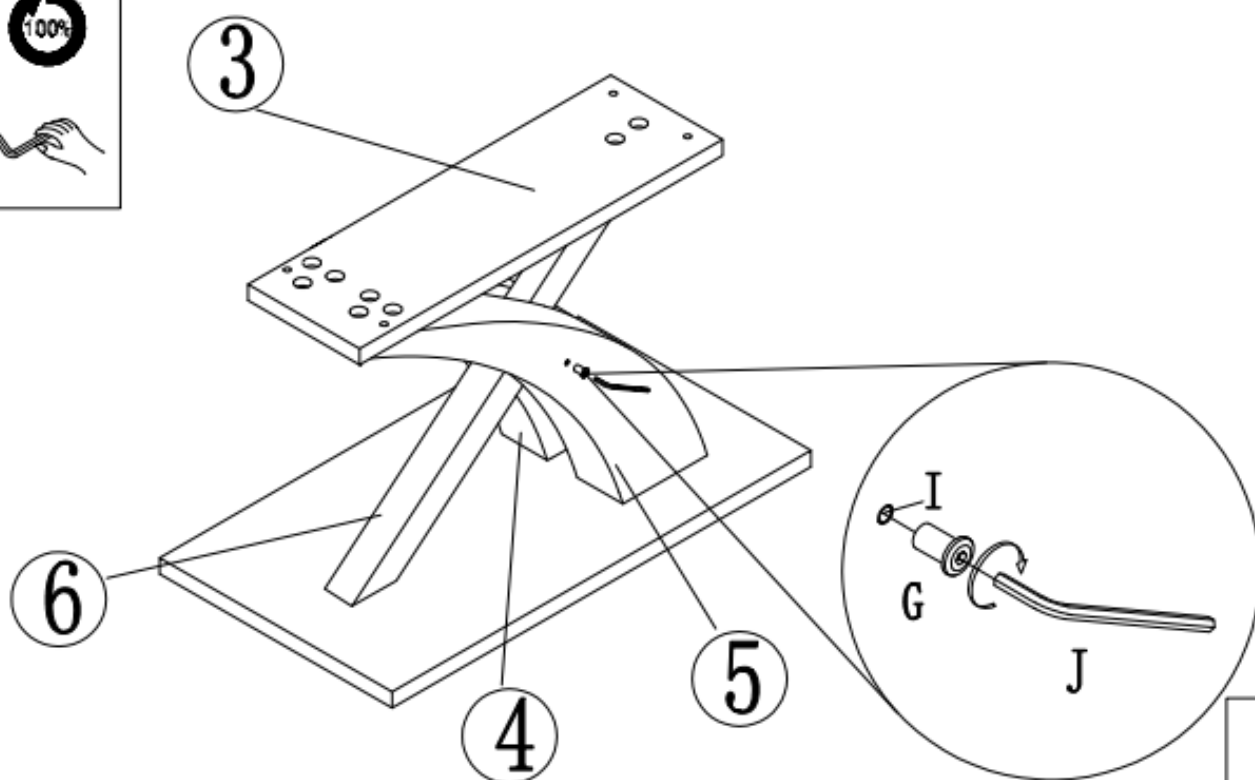
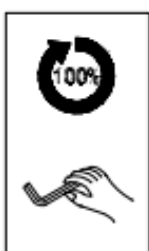
4



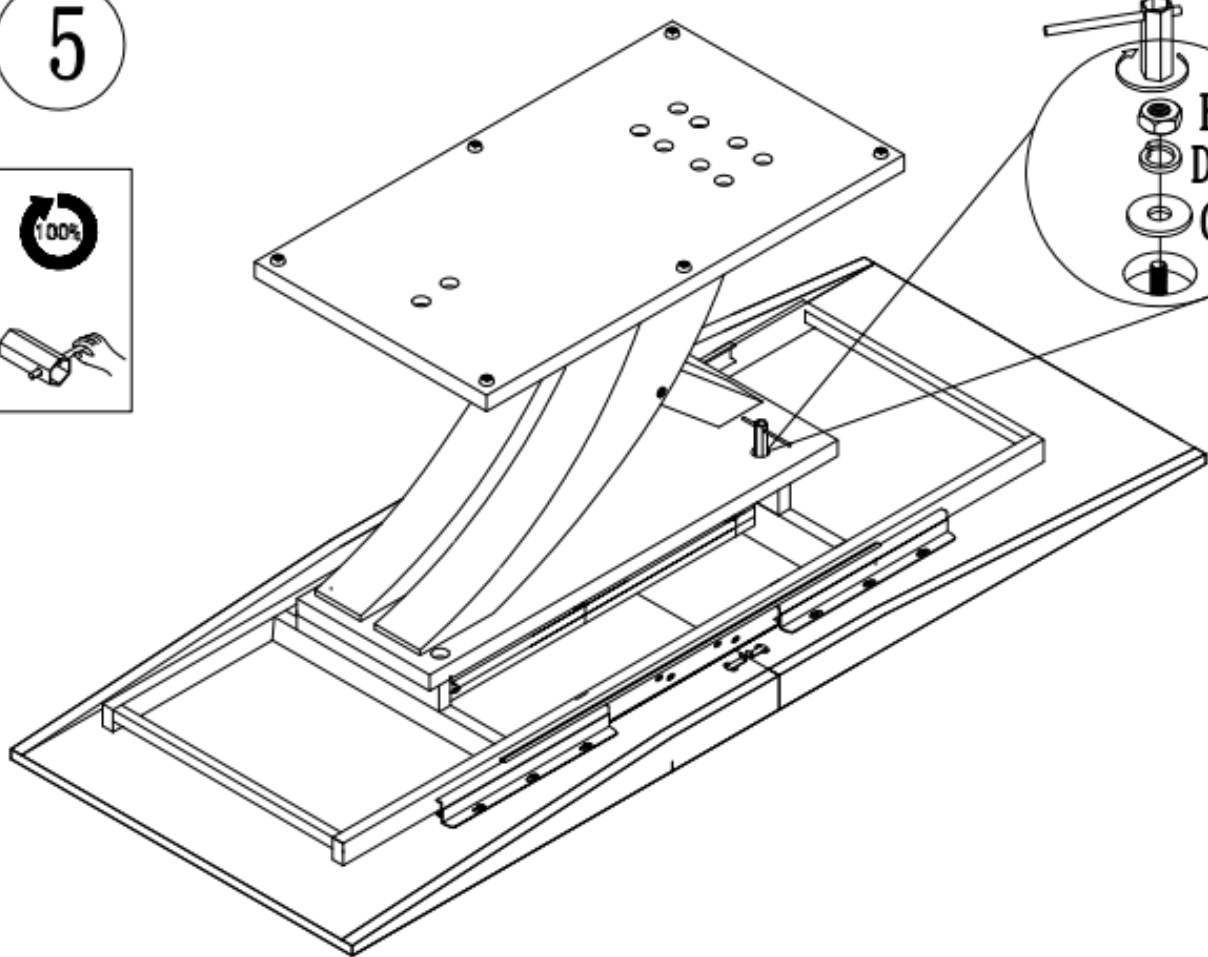
3



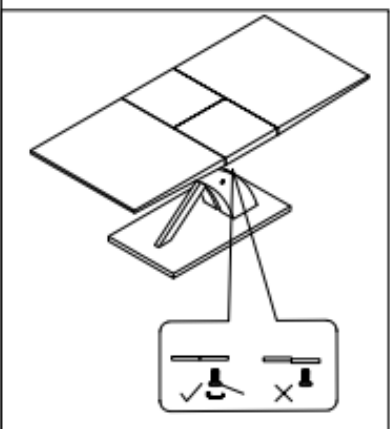
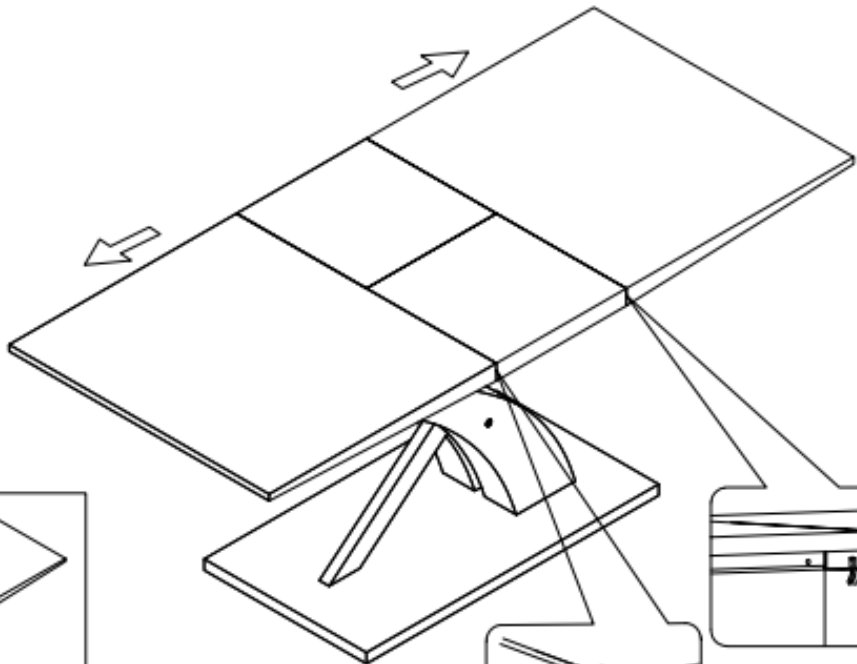
4



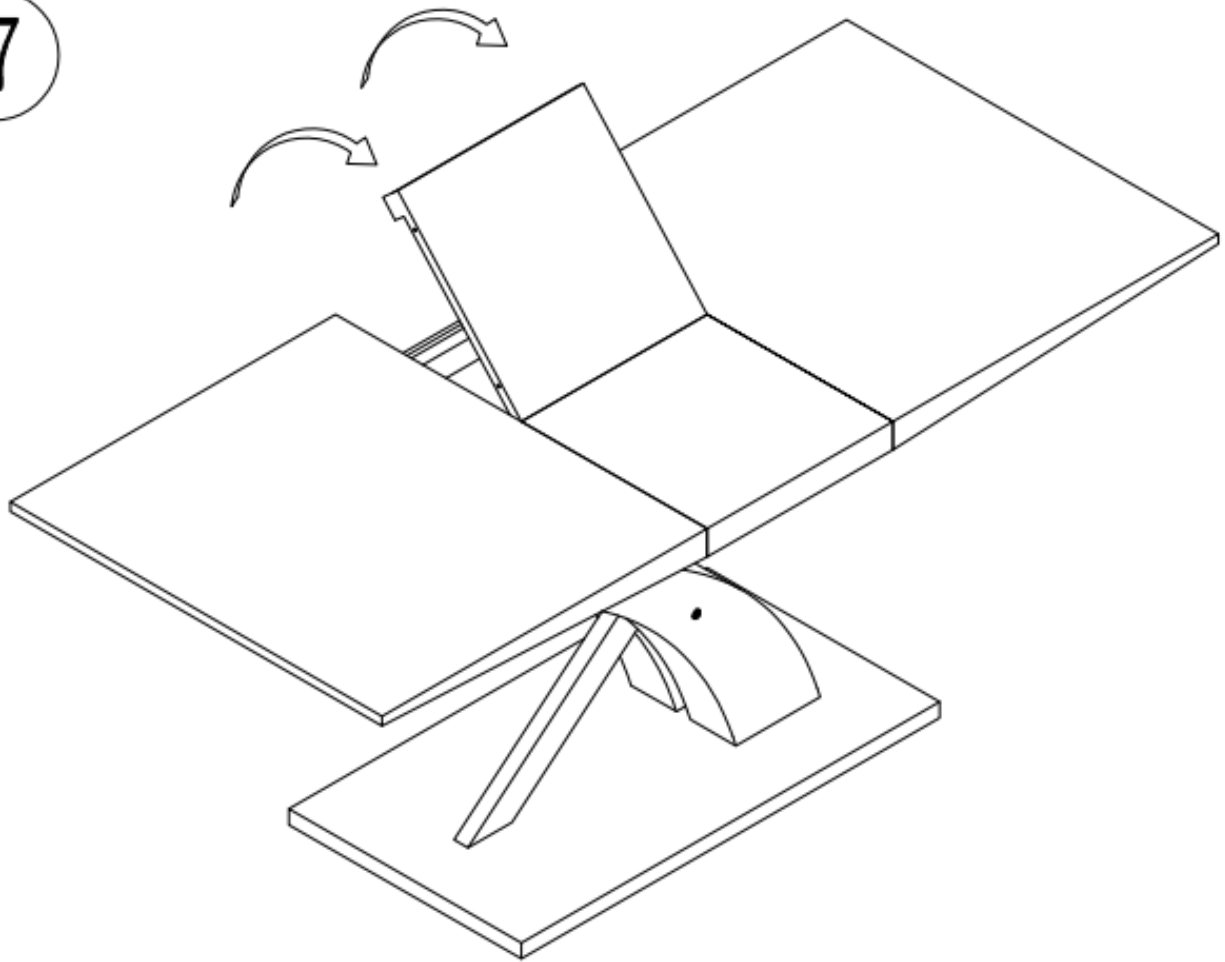
5



6



7



8

